



# **BALDOR® • *RELIANCE***

## **Product Information Packet**

# **CWDM41906T**

**20HP,3525RPM,3PH,60HZ,256TC,3948M,TEFC**

Product Detail									
Revision:	M	Status:	PRD/A	Change #:		Proprietary:	No		
Type:	AC	Prod Type:	3948M	Elec. Spec:	39WGW846	CD Diagram:	CD0180		
Enclosure	TEFC	Mfg Plant:		Mech Spec:	39R098	Layout:	39LYR098		
Frame:	256TC	Mounting:	F1	Poles:	02	Created Date:			
Base:	RG	Rotation:	R	Insulation:	F	Eff. Date:	08-28-2008		
Leads:	9#10	Literature:		Elec. Diagram:		Replaced By:			
Nameplate NP1496									
CAT.NO.	CWDM41906T								
SPEC.	39R098W846H1								
HP	20								
VOLTS	230/460								
AMP	45.4/22.7								
RPM	3525								
FRAME	256TC	HZ			60	PH	3		
SER.F.	1.15	CODE			J	DES	B	CLASS	F
NEMA-NOM-EFF	91	PF			90				
RATING	40C AMB-CONT								
CC	010A	USABLE AT 208V			50				
DE	6309	ODE			6208				
ENCL	TEFC	SN							

<b>Parts List</b>			
<b>Product ID</b>	<b>Description</b>	<b>Quantity</b>	<b>List Price</b>
SA084755	SA 39R098W846H1	1.000	1,784.00
RA077915	RA 39R098W846H1	1.000	1,425.00
S/P101-000-001	EPACT PROC-ZK 250FR, SMALL BOX, POLYREX EM	1.000	
HA6016WP	ADAPTER, CONDUIT BOX, W/WHITE EPOXY, PRIM	1.000	19.00
09GS1006	GASKET, CONDUIT BOX, NEOP-1/16 THICK-BLA	1.000	6.00
09CB3002A01P	CB MACH - 1.25 N.P.T. LEAD HOLE W/EPOXY	1.000	40.00
51XW2520A12	.25-20 X .75, TAPTITE II, HEX WSHR SLTD	2.000	2.00
HW1001A25	LOCKWASHER 1/4, ZINC PLT .493 OD, .255 I	2.000	2.00
WD1000B17	KPA-8C BURNDY TERMINAL	1.000	3.00
11XW1032G06	10-32 X .38, TAPTITE II, HEX WSHR SLTD U	1.000	3.00
39EP1100A08WP	FR ENDPLATE, MACH W/WHITE EPOXY, PRIMED	1.000	178.00
HW5100A08	W3118-035 WVY WSHR (WB)	1.000	2.00
HW4600B44SP	V-RING SLINGER 1.500 X 2.290 X 0.280	1.000	5.00
39EP1500A04P	PU ENDPLATE, MACH W/EPOXY PRIMER	1.000	312.00
10XN2520S28	1/4-20X 1 3/4 HEX HD SS X	4.000	1.00
HW4600B44SP	V-RING SLINGER 1.500 X 2.290 X 0.280	1.000	5.00
HA3154S02	THRUBOLT STUD 3/8-16 X 15.875 SS	4.000	21.00
XY3816S12	3/8-16 HEX FINISHED NUT SS	8.000	2.00
HA2001B08	SPL SPACER FOR AIR DEFLECTOR .50 O.D. X	3.000	4.00
09FH4000A23MWP	FAN COVER, MACH W/WHITE EPOXY	1.000	182.00
10XN2520S16	1/4-20 X 1 HEX HEAD SS	3.000	1.00
09CB3501P	CONDUIT BOX LID FOR 09CB3001 & 09CB3002	1.000	19.00
12GS1002	GASKET, CONDUIT BOX LID, NEOP	1.000	9.00
10XF2520S12	1/4-20 X 3/4 HX HD TYPE F S/S	2.000	6.00

<b>Parts List (continued)</b>			
<b>Product ID</b>	<b>Description</b>	<b>Quantity</b>	<b>List Price</b>
HW1001S25	WASHER, 1/4 SPLT LK, STAINLESS STEEL	2.000	2.00
HW4600B53	SEAL,TRANSCOM #168223 SAY#304SS BKPLT/31	1.000	25.00
HW2502G25	KEY .375 SQ X 2.88 303SS	1.000	16.00
MJ5001A01	46-665 RED SEALER	0.031	57.00
LB1115	LABEL,LIFTING DEVICE (ON ROLLS0	1.000	2.00
07GS1000SP	GASKET, CONDUIT BOX, .125 THICK BLACK NE	1.000	6.00
HW4032A01	BLUE DRAIN PLUG FOR WASH DOWN MOTORS	3.000	2.00
MJ1000A02	GREASE, POLYREX EM EXXON	0.085	10.00
HW4032A01	BLUE DRAIN PLUG FOR WASH DOWN MOTORS	3.000	2.00
HW2500A25	WOODRUFF KEY USA #1008 #BLOW CARBON STEE	1.000	2.00
51XB1214A20	12-14X1.25 HXWSSLD SERTYB	1.000	2.00
MG1025W01	PAINT- 781-01 WILKOFASST WHITE EPOXY	0.050	253.00
85XU0407S04	4X1/4 U DRIVE PIN STAINLESS	2.000	2.00
LB1164	LABEL,WARNING AND DRAIN F/HOSE DOWN	1.000	2.00
37FN3002C02	EXTERNAL FAN, PLASTIC, 6.00 BLADE, 1.50	1.000	10.00
LB1125C04	STD-E (STOCK CTN LABEL STD-E WITH FLAG)	4.000	2.00
LC0181	CONNECTION LABEL	1.000	6.00
NP1496	STD NP S.S.WASHDOWN W/ WASHDOWN GRAPHICS	1.000	
40PA1000	PACKAGING GROUP	1.000	67.00
LB5040	INSTRUCTION TAG, AC & DC	1.000	2.00

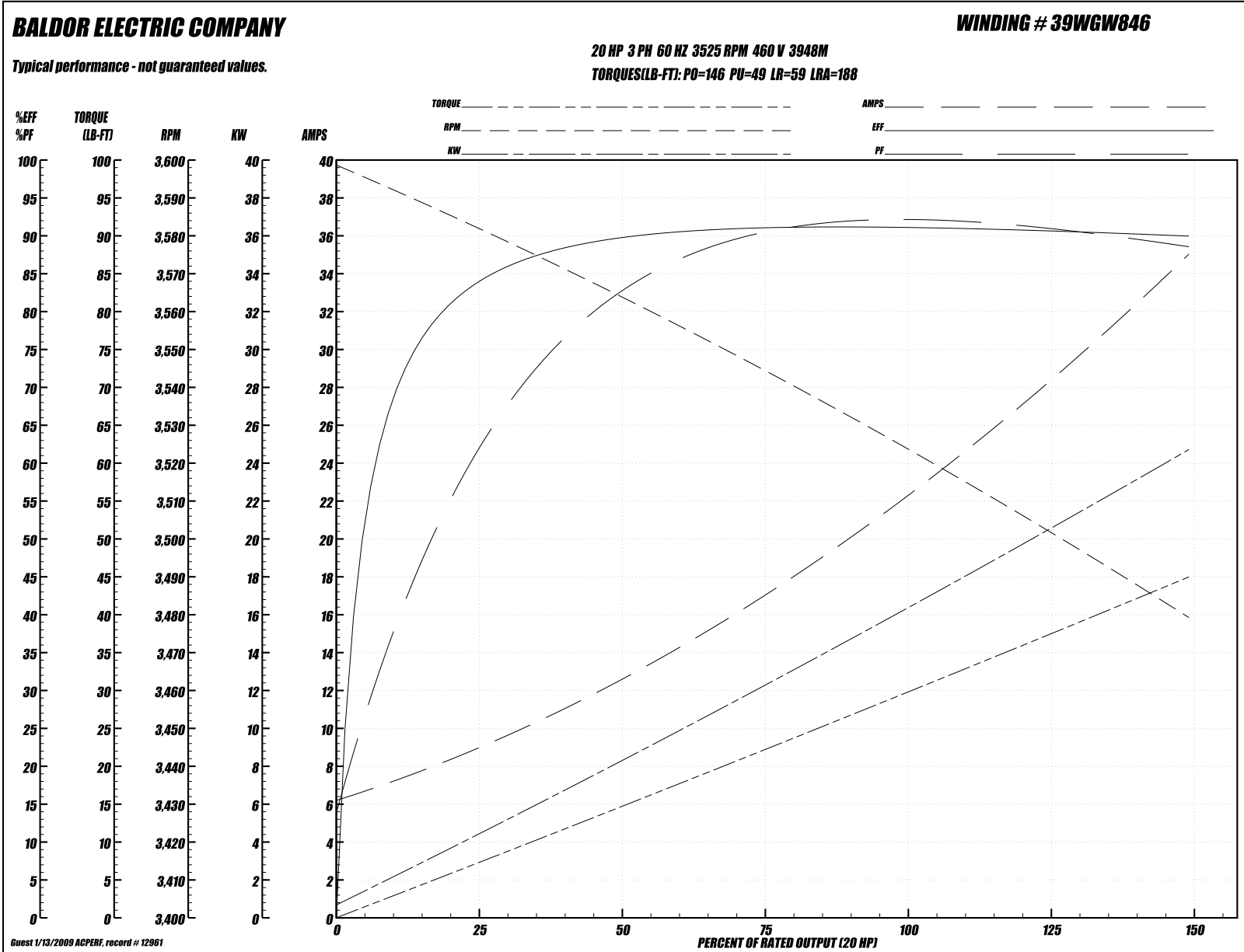
**Performance Data at 460V, 60Hz, 20.0HP (Typical performance - Not guaranteed values)**
**General Characteristics**

<b>Full Load Torque:</b>	30.0 LB-FT	<b>Start Configuration:</b>	DOL
<b>No-Load Current:</b>	6.4 Amps	<b>Break-Down Torque:</b>	146.0 LB-FT
<b>Line-line Res. @ 25°C.:</b>	0.375 Ohms A Ph / 0.0 Ohms B Ph	<b>Pull-Up Torque:</b>	49.0 LB-FT
<b>Temp. Rise @ Rated Load:</b>	82°C	<b>Locked-Rotor Torque:</b>	59.0 LB-FT
<b>Temp. Rise @ S.F. Load:</b>	98°C	<b>Starting Current:</b>	188.0 Amps

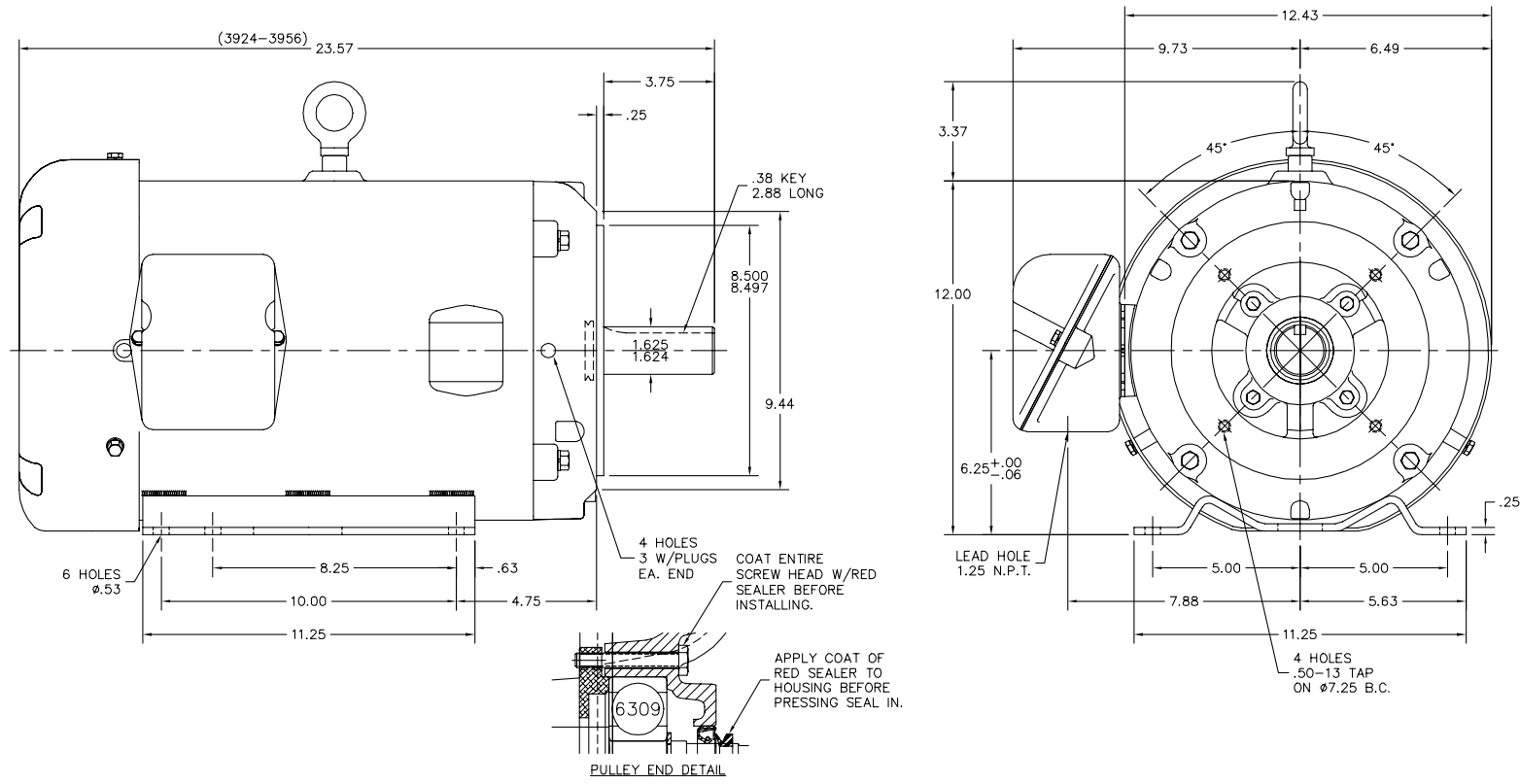
**Load Characteristics**

<b>% of Rated Load:</b>	<b>25</b>	<b>50</b>	<b>75</b>	<b>100</b>	<b>125</b>	<b>150</b>	<b>S.F.</b>
<b>Power Factor:</b>	63.0	81.0	88.0	90.0	91.0	91.0	91.0
<b>Efficiency:</b>	83.8	89.7	91.1	91.2	90.7	89.9	90.9
<b>Speed:</b>	3581.0	3563.0	3544.0	3523.0	3502.0	3479.0	3510.0
<b>Line Amperes:</b>	8.7	12.7	17.4	22.7	28.1	35.1	25.9

Performance Graph at 460V, 60Hz, 20.0HP (Typical performance - Not guaranteed values)



39L YR098



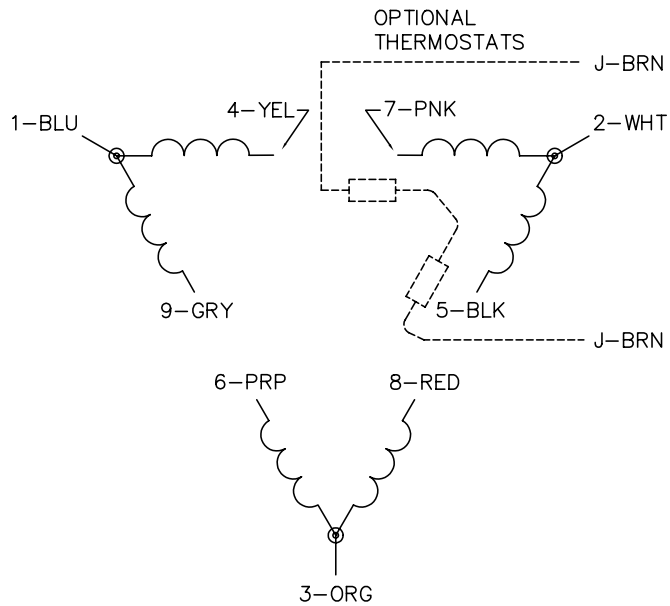
CUSTOMER IS RESPONSIBLE FOR DETERMINING THAT MOTOR PERFORMANCE IS SUITABLE IN THE APPLICATION.

REV. DESC: REPLACE 39SH1032 W/39SH1133 UNTILL PROB. FIXED	TDR: 000000385548
REV. LTR: B	VERSION: 02
FILE: \AAA\00093\157	REVISED: 06:53:02 01/13/2006
MTL: -	BY: ENJAMM1

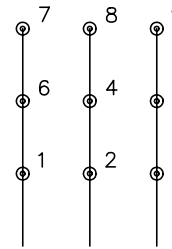
**BALDOR ELECTRIC Co.**  
HOR TEFC 254-6TC - HOSE DOWN (SP#9)

39L YR098

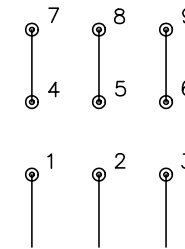
CD0180



LOW VOLTAGE  
(2D)



HIGH VOLTAGE  
(1D)



NOTES:

1. INTERCHANGE ANY TWO LINE LEADS TO REVERSE ROTATION.
2. OPTIONAL THERMOSTATS ARE PROVIDED WHEN SPECIFIED.
3. ACTUAL NUMBER OF INTERNAL PARALLEL CIRCUITS MAY BE A MULTIPLE OF THOSE SHOWN ABOVE.
4. LEAD COLORS ARE OPTIONAL. LEADS MUST ALWAYS BE NUMBERED AS SHOWN.

REV. DESC: REVISE TO SHOW OPTIONAL COLORS			
REV. LTR: C	BY: JLP	REVISED: 01/21/99 2:28	TDR: 0171435
0810D0		FILE: AAA00005148	MDL: -
		MTL: -	

**BALDOR ELECTRIC Co.**

3PH, DV, 9 LEADS, DELTA CONNECTION

CD0180