



HP75CN
Shown

HP75 (End Bell Gasket Design)

Pump Volute / Impeller Materials

- HP75 (BN) – Bronze / CPVC
- HP75 (BS) – Bronze / 316SS
- HP75 (KN) – Kanigen Plated / CPVC
- HP75 (KS) – Kanigen Plated / 316SS
- HP75 (CN) – CPVC / CPVC
- HP75 (CS) – CPVC / 316SS

Features

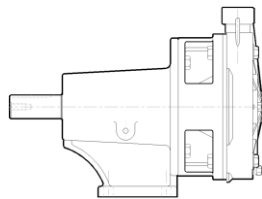
- **End Bell Gasket Design** – Isolates cast iron motor bracket from liquid flow
- **Configuration** – Compact, close coupled design
- **Motor shaft** – Threaded

Applications

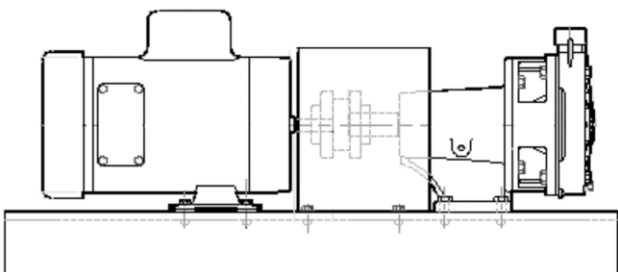
- Chillers / Liquid Cooling
- Chemical Processing
- Booster Pumps
- Water Purification
- Circulation / Filtration
- Air Conditioning / Heat Recovery

Optional Configurations

- **Power Frame Mounting:**



- **Long-Coupled Mounting:**



Standard Specifications

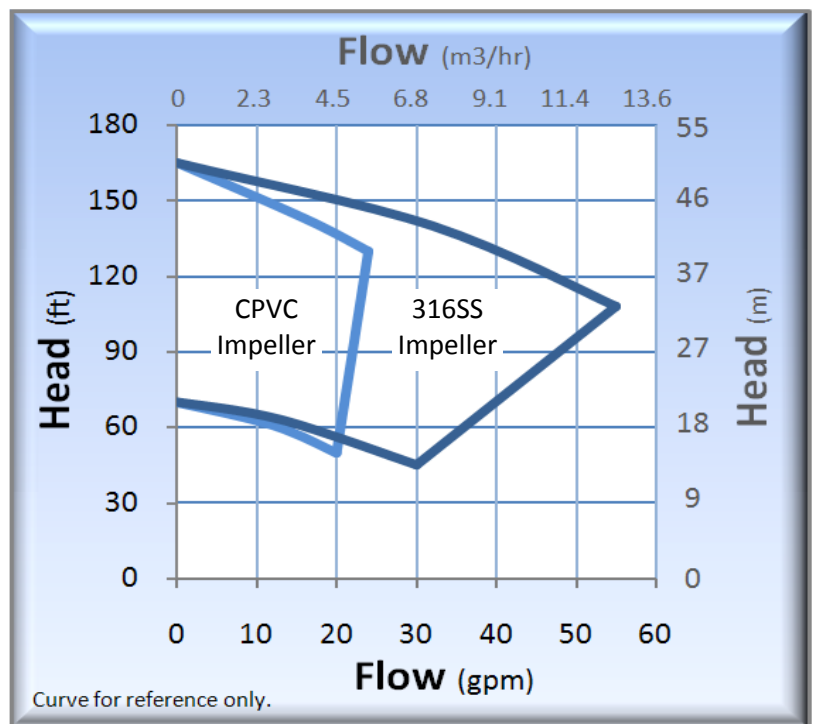
- Discharge 3/4" FNPT, Suction 3/4" FNPT
- Maximum Impeller Diameter: 6.00"
- Motor: NEMA 56J Footless (Multiple enclosures available)
- Mechanical Seal:

Single, 5/8" Type 6 Buna, Carbon vs. Ceramic

Note: Additional seal options available

- Bracket Material: Cast Iron (Bronze optional)
- Bell Gasket Material: EPR (Viton optional)

Performance Curve – 60 Hz



HP75 (Gasket Design)

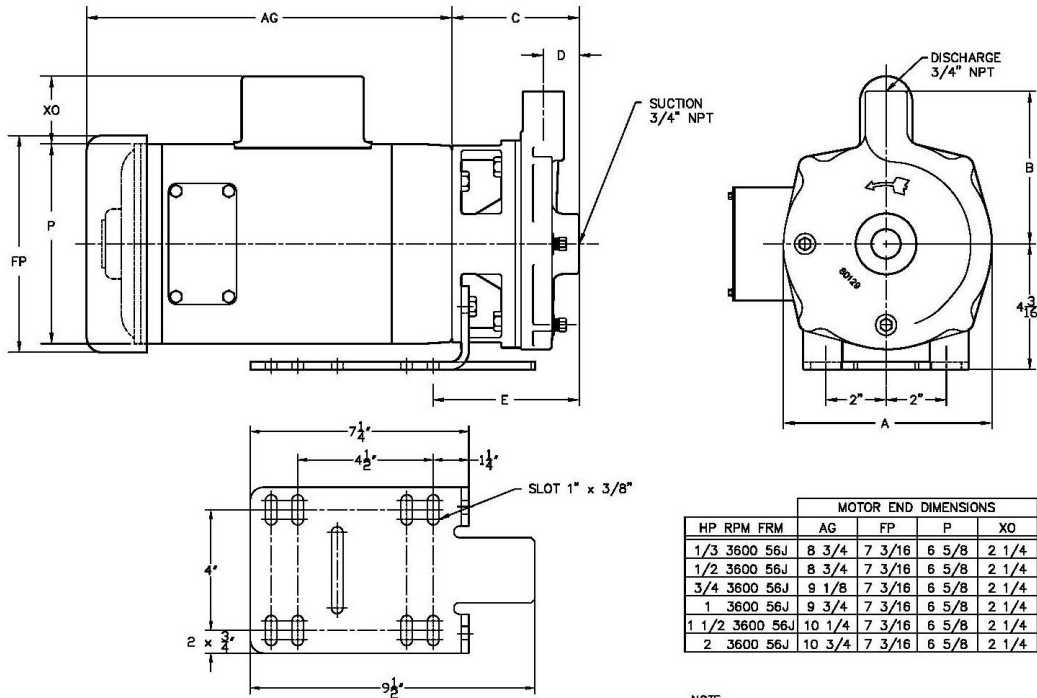
Technical Information	
Max Flow (CPVC Impeller)	20 GPM (4.5 m3/hr)
Max Flow (316SS Impeller)	55 GPM (12.5 m3/hr)
Max Head	165 feet (50 m)
Min. Flow	0.5 GPM (0.12 m3/hr)
Max Solid Size	0.030" (0.76 mm)
Max (Type 6 Seal)	75 PSI (5.2 bar)
Working (Type 2106 Seal)	150 PSI (10.3 bar)
Pressure (Type 21 Seal)	150 PSI (10.3 bar)
Max Temp. (CN, KN, BN, CS)	140°F (60°C)*
Max Temp. (KS, BS)	300°F (149°C)*

* Temperature limits are based on standard seal and gasket materials, and will vary according to the liquid being pumped.

Materials of Construction						
HP75	BN	BS	KN ⁺	KS ⁺	CN	CS
Volute	Bronze	Bronze	Kanigen	Kanigen	CPVC	CPVC
Impeller	CPVC	316SS	CPVC	316SS	CPVC	316SS
Bracket	Cast Iron (Bronze Optional)					
Fasteners	Stainless Steel		Steel - Zinc Plated		Steel - Zinc Plated	
Gasket	EPR (Viton Optional)					

⁺ Kanigen is an Electroless nickel plating

Dimensions: HP75 (Gasket Design)



NOTE:
MOTOR DIMENSIONS WILL VARY BY MODEL AND MAKE.
DIMENSIONS ARE TO BE USED FOR REFERENCE ONLY.

MATERIAL	MODEL	A	B	C	D	E
BRONZE	HP75BN / HP75BS	6 15/16	5 1/8	4 1/8	1 3/16	4 7/8
KANIGEN	HP75KN / HP75KS	6 15/16	5 1/8	4 1/8	1 3/16	4 7/8
CPVC	HP75CN / HP75CS	7 1/8	4 11/16	4	1 3/16	4 5/8

ALL DIMENSIONS ARE ROUNDED TO THE
NEAREST 1/16 INCH.

**Contact factory for special pump configurations,
same day, and next day delivery options.**

PRICE PUMP CO.

21775 Eighth Street East
Sonoma, CA 95476-0329

MAIN (707) 938-8441

TOLL FREE (800) 345-7867

FAX (707) 938-0764

E-mail: sales@pricepump.com

Website: www.pricepump.com

Member of:
Hydraulic INSTITUTE



Rev. A Date: May 2011